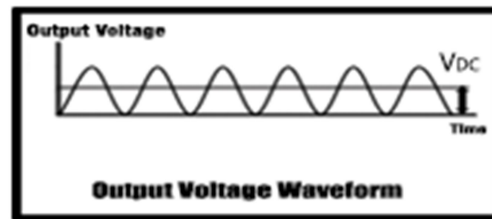
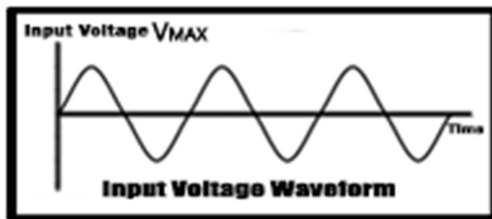
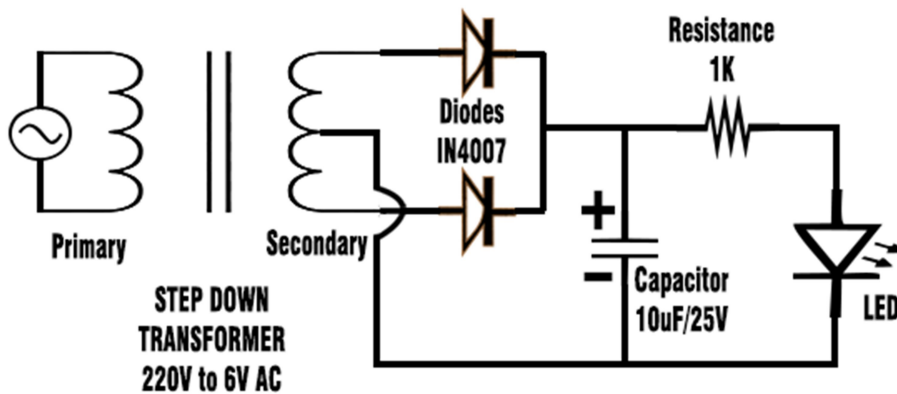


FULL WAVE RECTIFIER

A full wave rectifier is a device which is used to rectify all the alternating current components in an alternating supply and make it purely a direct current. The two alternating halves of an alternating current are rectified in a full wave rectifier which is an advantage over a half wave rectifier. These rectifiers are used in most of the electronic devices like TV's, Radios and Chargers etc.



Principle of Working

In this circuit, step down transformer converts 220V AC to 6V AC. The positive half of AC cycle is converted into DC by upper diode and negative half of AC cycle is converted into DC by lower diode; thus complete AC cycle is converted into DC. Capacitor removes the ripples and resistance is used to limit the current through LED.